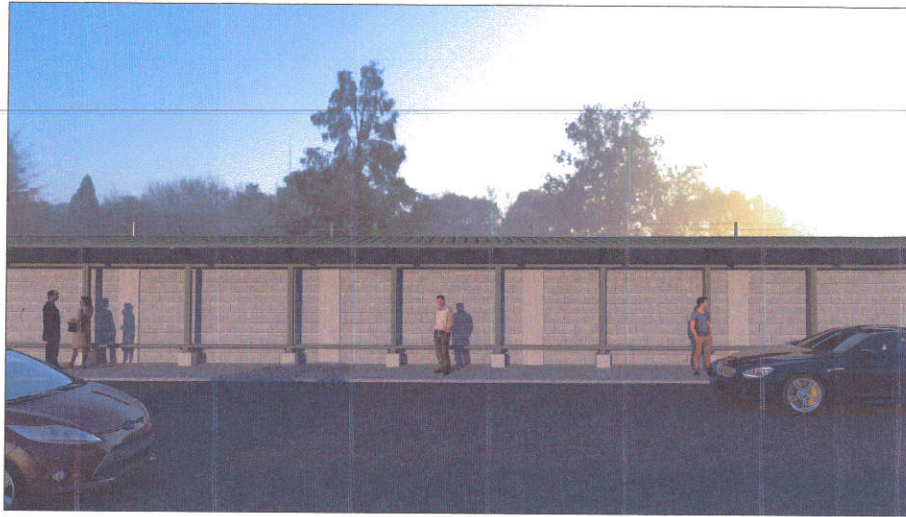


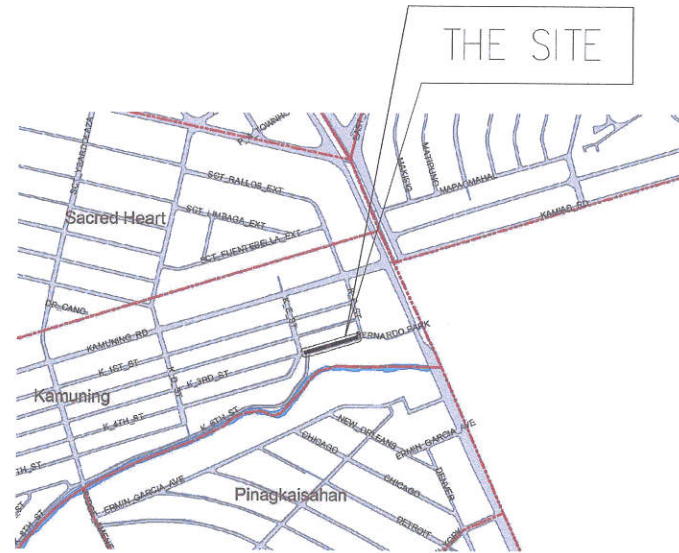
20-00138



EXTERIOR PERSPECTIVE

SCALE:

N T S.



VICINITY MAP

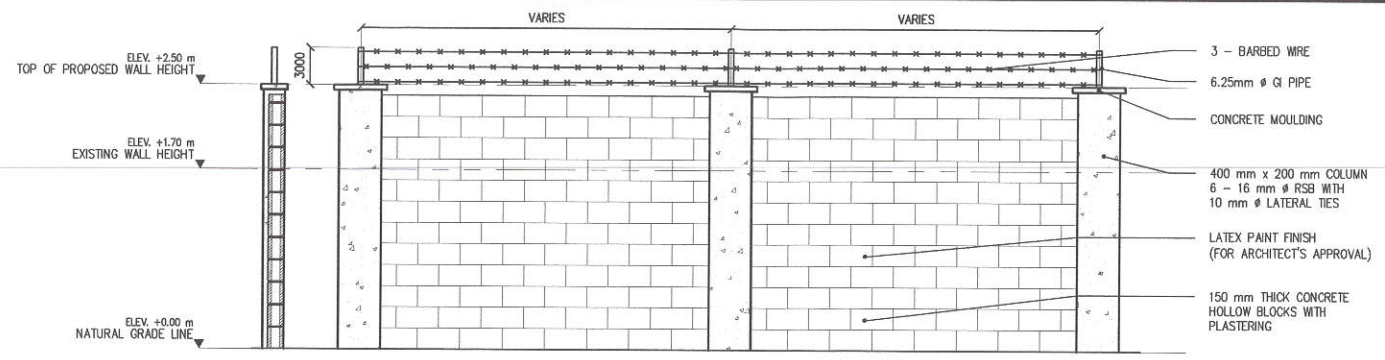
SCALE: N T S.



Republika ng Pilipinas
Lungsod ng Quezon
CITY ENGINEERING DEPARTMENT

PROJECT TITLE:	DRAWN BY: MA. E. E.	SUBMITTED BY:	RECOMMENDING APPROVAL:	APPROVED BY:	SHEET CONTENT:	SHEET NUMBER:
PROPOSED REPAINTING AND REHABILITATION OF FRONT PERIMETER FENCE AND COVERED PATHWALK AT M.H. DEL PILAR ELEMENTARY SCHOOL	DATE:				VICINITY MAP EXTERIOR PERSPECTIVE	AR-01
LOCATION: BARANGAY KAMUNING, DISTRICT IV, QUEZON CITY	CHECKED BY:	REVISION NO:	ENGR. LEO S. DEL ROSARIO HEAD, PLANNING & PROGRAMMING DIVISION	ENGR. ISAGANI R. VERZOSA JR. CITY ENGINEER, DEPARTMENT OF ENGINEERING	HON. MA. JOSEFINA G. BELMONTE CITY MAYOR, QUEZON CITY	

20-00138

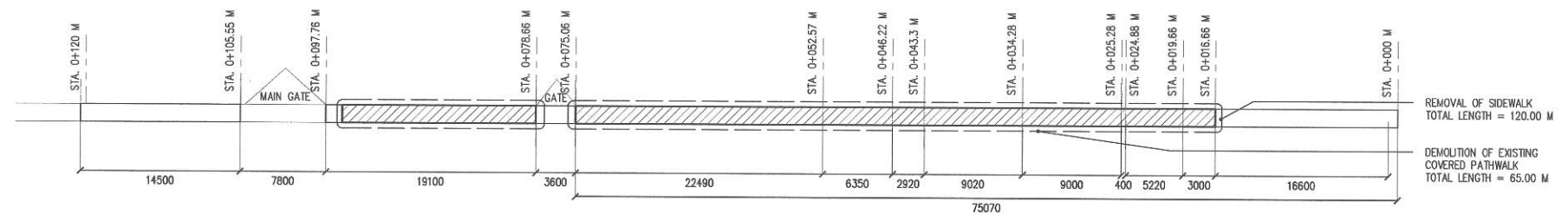


HEIGHTENING OF PERIMETER FENCE

SCALE: 1:40 M

EXISTING PLAN

SCALE: 1:500



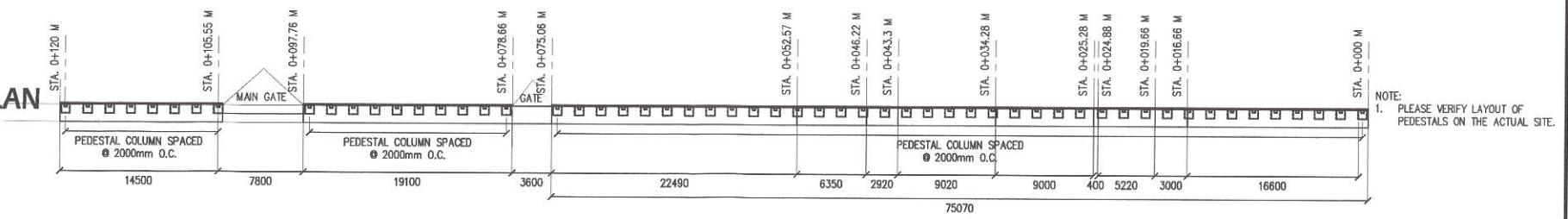
PROPOSED PLAN

SCALE: 1:500



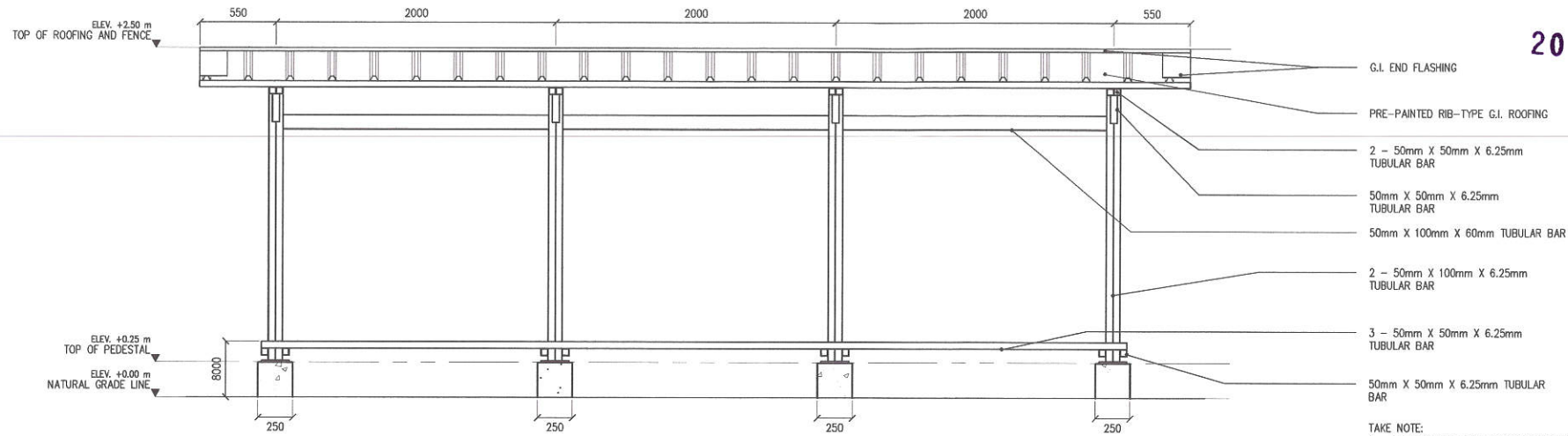
FOUNDATION PLAN

SCALE: 1:500



Republika ng Pilipinas Lungsod ng Quezon CITY ENGINEERING DEPARTMENT	PROJECT TITLE:	DRAWN BY: MA. E. E.	SUBMITTED BY:	RECOMMENDING APPROVAL:	APPROVED BY:	SHEET CONTENT	SHEET NUMBER
	PROPOSED REPAINTING AND REHABILITATION OF FRONT PERIMETER FENCE AND COVERED PATHWALK AT M.H. DEL PILAR ELEMENTARY SCHOOL LOCATION: BARANGAY KAMUNING, DISTRICT IV, QUEZON CITY	DATE:	CHECKED BY:	ENGR. LEO S. DEL ROSARIO HEAD, PLANNING & PROGRAMMING DIVISION	ENGR. ISAGANI R. VERZOSA JR. OIC, DEPARTMENT OF ENGINEERING	HON. MA. JOSEFINA G. BELMONTE CITY MAYOR, QUEZON CITY	HEIGHTENING OF PERIMETER FENCE EXISTING PLAN PROPOSED PLAN FOUNDATION PLAN

20-00138

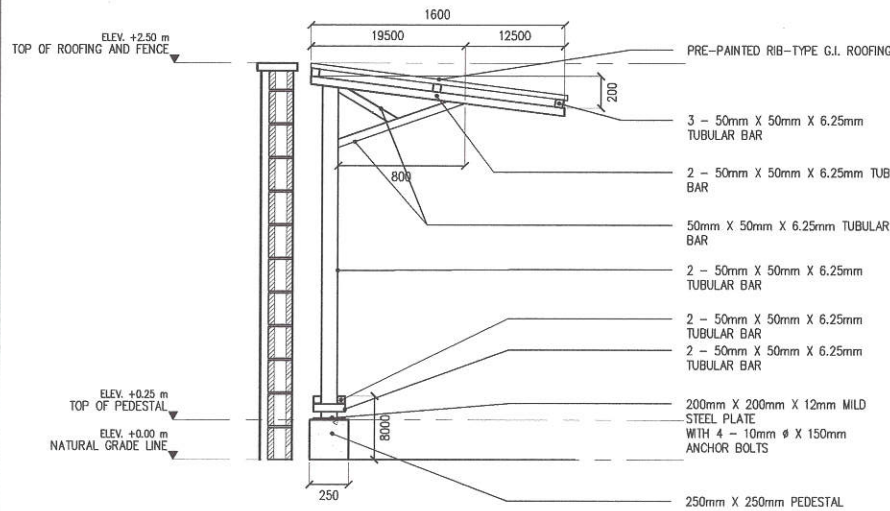


- G.I. END FLASHING
- PRE-PAINTED RIB-TYPE G.I. ROOFING
- 2 - 50mm X 50mm X 6.25mm TUBULAR BAR
- 50mm X 50mm X 6.25mm TUBULAR BAR
- 50mm X 100mm X 60mm TUBULAR BAR
- 2 - 50mm X 100mm X 6.25mm TUBULAR BAR
- 3 - 50mm X 50mm X 6.25mm TUBULAR BAR
- 50mm X 50mm X 6.25mm TUBULAR BAR

FRONT ELEVATION

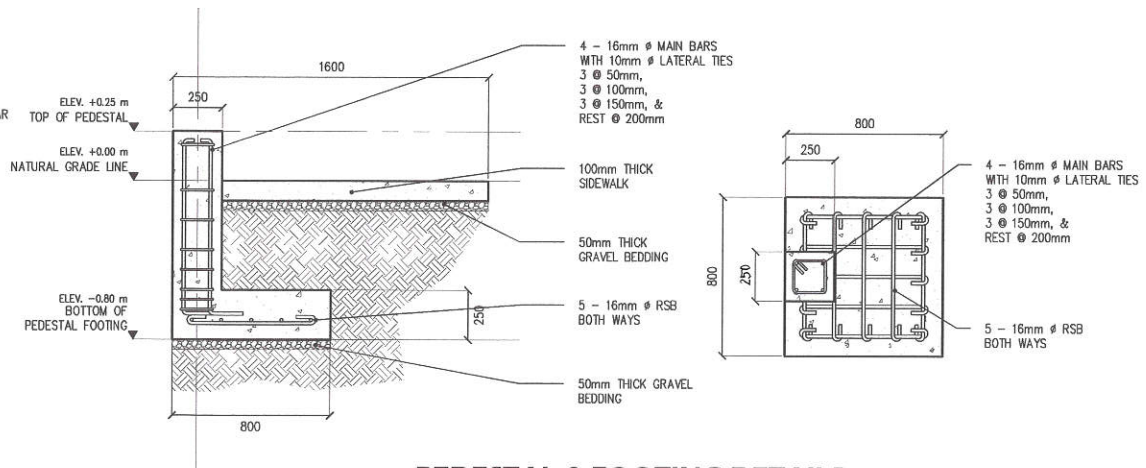
SCALE: 1:40 M

- TAKE NOTE:
1. ALL CONCRETE ARE PAINTED IN ELASTOMERIC PAINT FINISH (FOR ARCHITECT'S APPROVAL).
 2. ALL STEEL MEMBERS ARE PAINTED IN QUICK-DRY ENAMEL PAINT FINISH (FOR ARCHITECT'S APPROVAL).



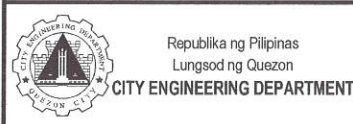
SIDE ELEVATION

SCALE: 1:40 M



PEDESTAL & FOOTING DETAILS

SCALE: 1:16 M



Republika ng Pilipinas
Lungsod ng Quezon
CITY ENGINEERING DEPARTMENT

PROJECT TITLE:	DRAWN BY: MA. E. E.	SUBMITTED BY:	RECOMMENDING APPROVAL:	APPROVED BY:	SHEET CONTENT	SHEET NUMBER
PROPOSED REPAINTING AND REHABILITATION OF FRONT PERIMETER FENCE AND COVERED PATHWALK AT M.H. DEL PILAR ELEMENTARY SCHOOL	DATE:				FRONT AND SIDE ELEVATIONS; PEDESTAL & FOOTING DETAILS	ST-02
LOCATION: BARANGAY KAMUNING, DISTRICT IV, QUEZON CITY	CHECKED BY:	REVISION NO.:	ENGR. LEO S. DEL ROSARIO HEAD, PLANNING & PROGRAMMING DIVISION	ENGR. SAGANI R. VERZOSA JR. OIC, DEPARTMENT OF ENGINEERING	HON. MA. JOSEFINA G. BELMONTE CITY MAYOR, QUEZON CITY	