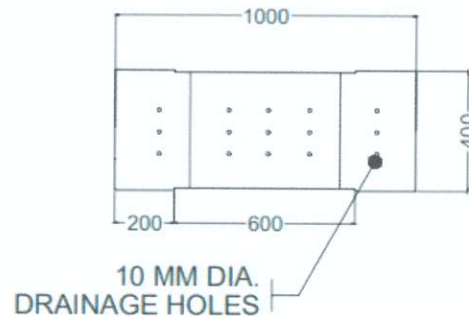
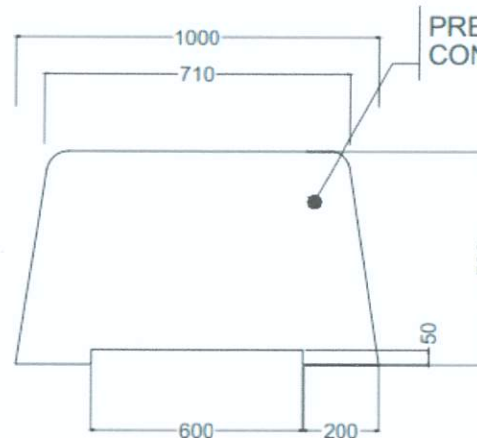


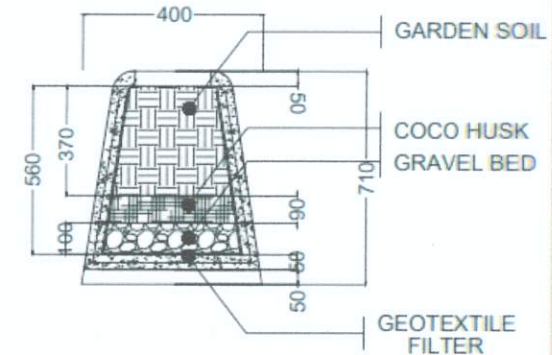
A PLAN VIEW
03 SCALE 1:20



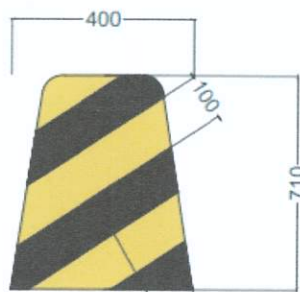
B BOTTOM VIEW
03 SCALE 1:20



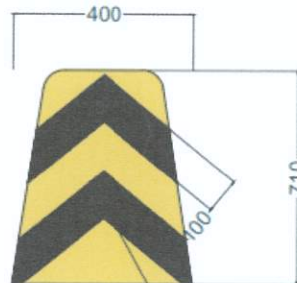
C FRONT ELEVATION
03 SCALE 1:20



D SECTIONS
03 SCALE 1:20






E LEFT ELEVATION
03 SCALE 1:20



F RIGHT ELEVATION
03 SCALE 1:20



G PERSPECTIVE
03 SCALE NTS

PLANT SPECIES	
	<p>YELLOW TOP BALETE (<i>Ficus benjamina</i>) @ 0.30 - 0.50 M.H.T.; BUSHY</p> <p>3-4 UNITS PER BARRIER</p>
	<p>GUAMVILLEA (<i>Bougainvillea</i> spp.) @ 0.30 - 0.50 M.H.T.; BUSHY; FLOWERING</p> <p>3-4 UNITS PER BARRIER</p>
	<p>SUNDROP (<i>Ficus benjamina</i>) @ 0.30 - 0.50 M.H.T.; BUSHY</p> <p>3-4 UNITS PER BARRIER</p>