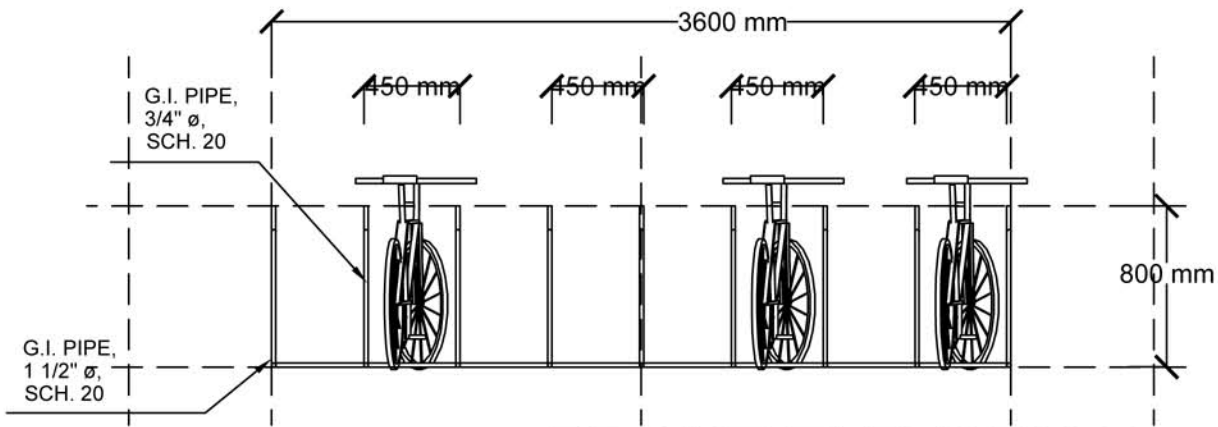
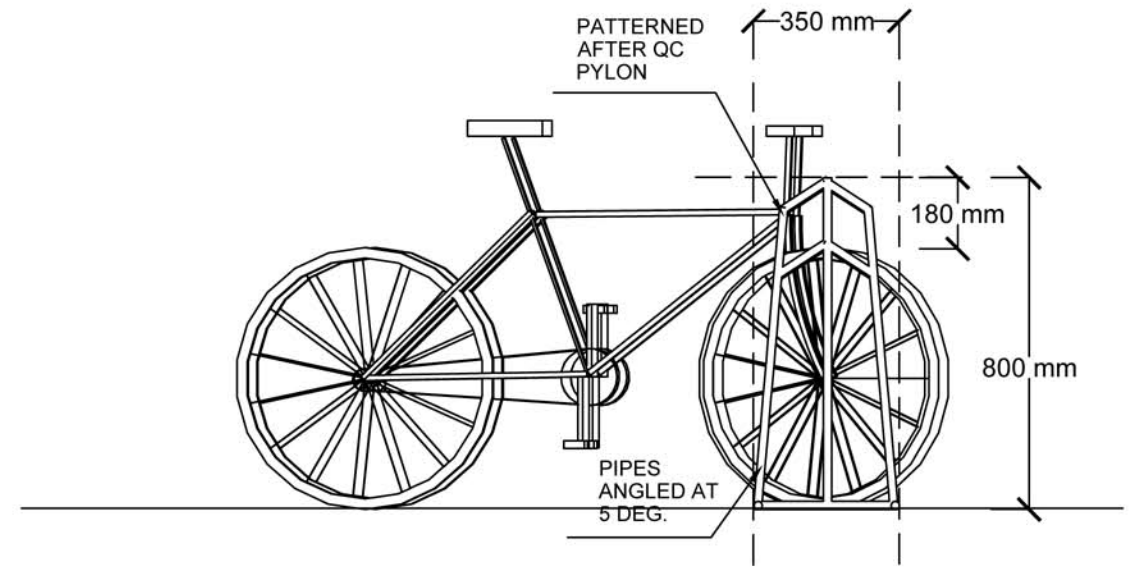


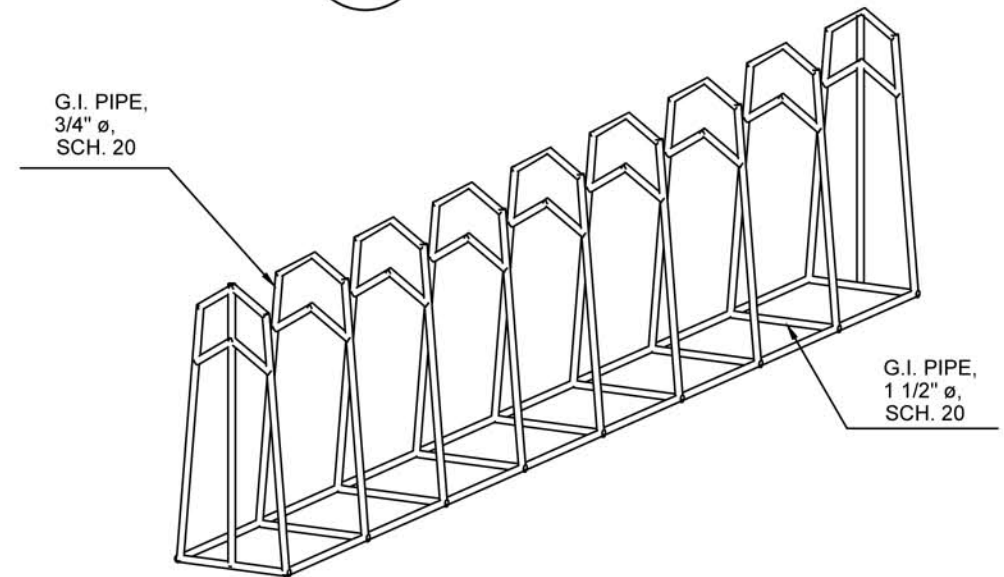
A PLAN VIEW
02 NOT TO SCALE



B FRONT ELEVATION
02 NOT TO SCALE



C SIDE VIEW
02 NOT TO SCALE



D PERSPECTIVE
02 NOT TO SCALE